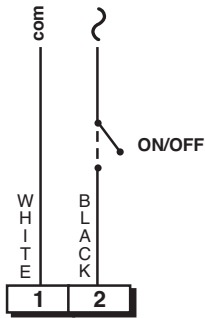


## Wiring Diagram Electric Actuators

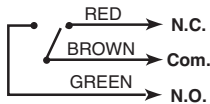
### ME-4530/31/32 ME-4430/31/32

TWO POSITION  
ON / OFF

24 / 110 / 220 VAC



6 WATTS



Auxiliary Switch Option  
(indicate "S")

ME4430 S / ME4530 S (24 VAC)

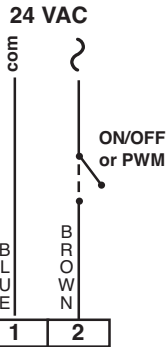
ME4431 S / ME4531 S / (110 VAC)

ME4432 S / ME4532 S / (220 VAC)

**NOTE:** Auxiliary switch rated  
for 5A 250VAC. This diagram  
shows the 'Power Fail Position'.

### ME-1605 ME-1705

TWO POSITION ON/OFF  
OR  
TIME PROPORTIONING

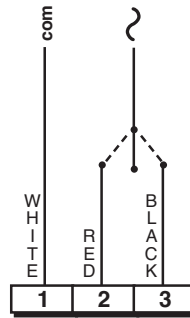


3.0 WATTS Running  
1.3 WATTS Holding

### ME-4140

TRI-STATE  
(fail last position)

24 VAC

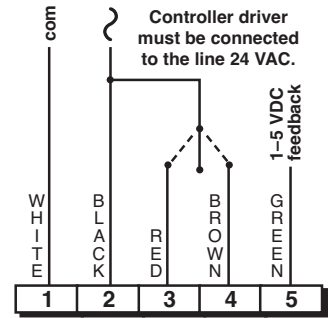


RETURN DRIVE  
0.8 WATTS

### ME-4640

TRI-STATE  
(spring return)

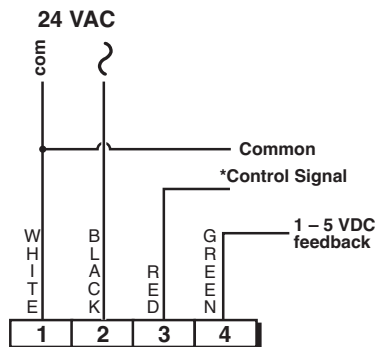
24 VAC



6 WATTS  
Requires shared common connections,  
(neutral, white) with the controller.

### ME-4240 FAIL LAST POSITION ME-4740 SPRING RETURN

PWM CONTROL

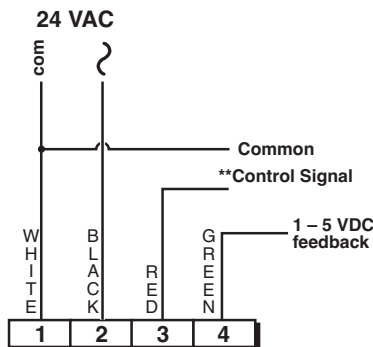


6 WATTS

**\*Control Signal:**  
Pulse Width 0.02-5 sec.  
24VAC pulse. The  
minimum off pulse  
required is 125 msecs.

### ME-4340 0/2-10VDC ME-4344 0-5/5-10VDC

MODULATING FAIL LAST POSITION

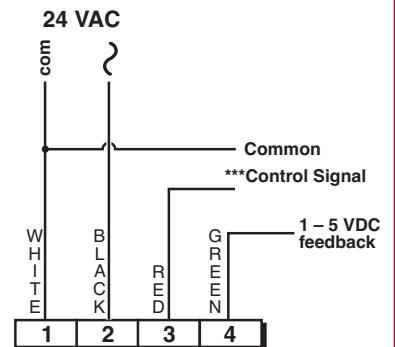


6 WATTS

**\*\*Control Signal:**  
Proportional 0/2-10 VDC,  
0-5/5-10 VDC  
4-20mA use a 500 ohm  
1% 1/4 watt resistor.  
D/A or R/A option jumper  
selectable.

### ME-4840 0/2-10VDC SPRING OPEN ME-4844 0-5/5-10VDC SPRING OPEN ME-4940 0/2-10VDC SPRING CLOSED ME-4944 0-5/5-10VDC SPRING CLOSED

MODULATING SPRING RETURN  
UP OPEN OR DOWN CLOSED



6 WATTS

**\*\*\*Control Signal:**  
Proportional 0/2-10 VDC,  
0-5/5-10 VDC  
4-20mA  
D/A or R/A option jumper  
selectable.